

Computer Aided Design for Modelers

Lesson 2

We'll finish the outside girder detail, mirror the required components to the interior of the girder and add the cover plates.

HELP Line

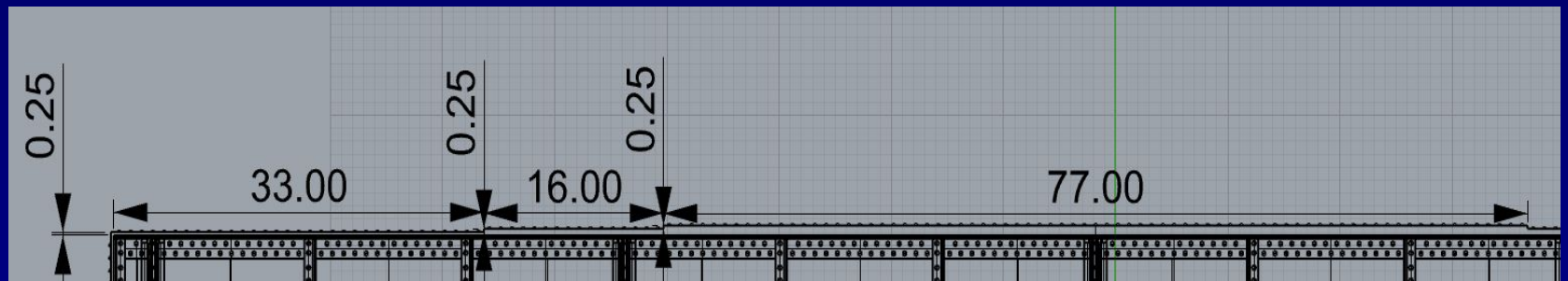
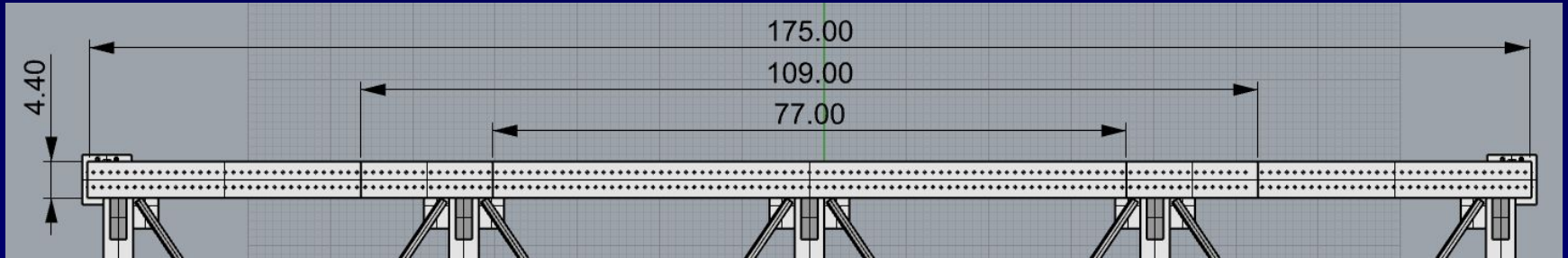
For the duration of this series I have established an email address where you can write for help:

ntbridge924@gmail.com

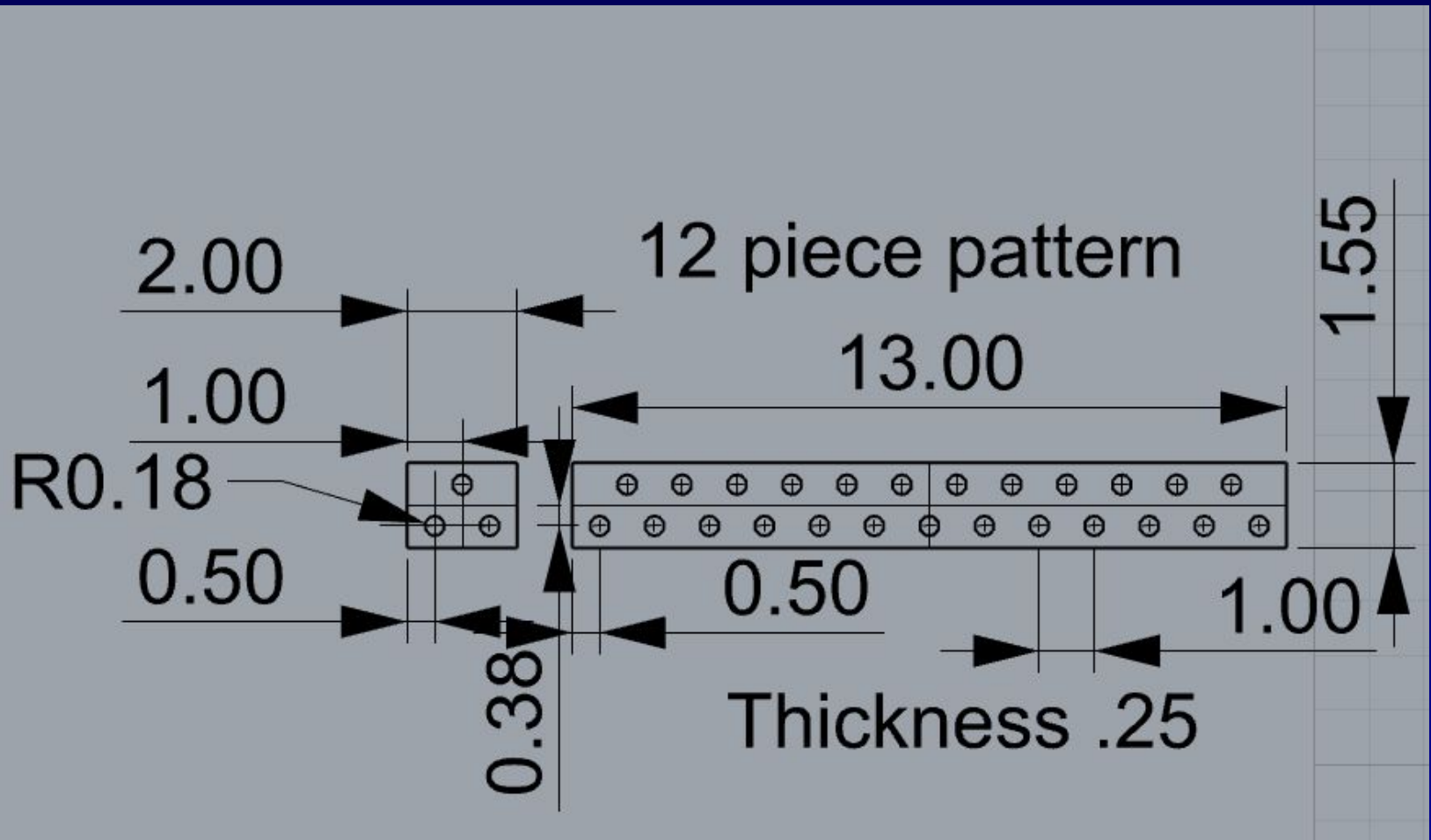
For instructional purposes, OnShape is an excellent vehicle. Your work is on a public server and the history keeps track of everything you do so I (hopefully) can track down where you erred.

Remember: Save your work under a unique name so I can find it!

Cover Plates



Main Angle Plates



Girder Dimensions

