

# Computer Aided Design for Modelers

## Lesson 3

We construct the half width floor beams, stringers, and knee braces. These components are assembled and the half bridge is mirrored to make the final basic structure.

# HELP Line

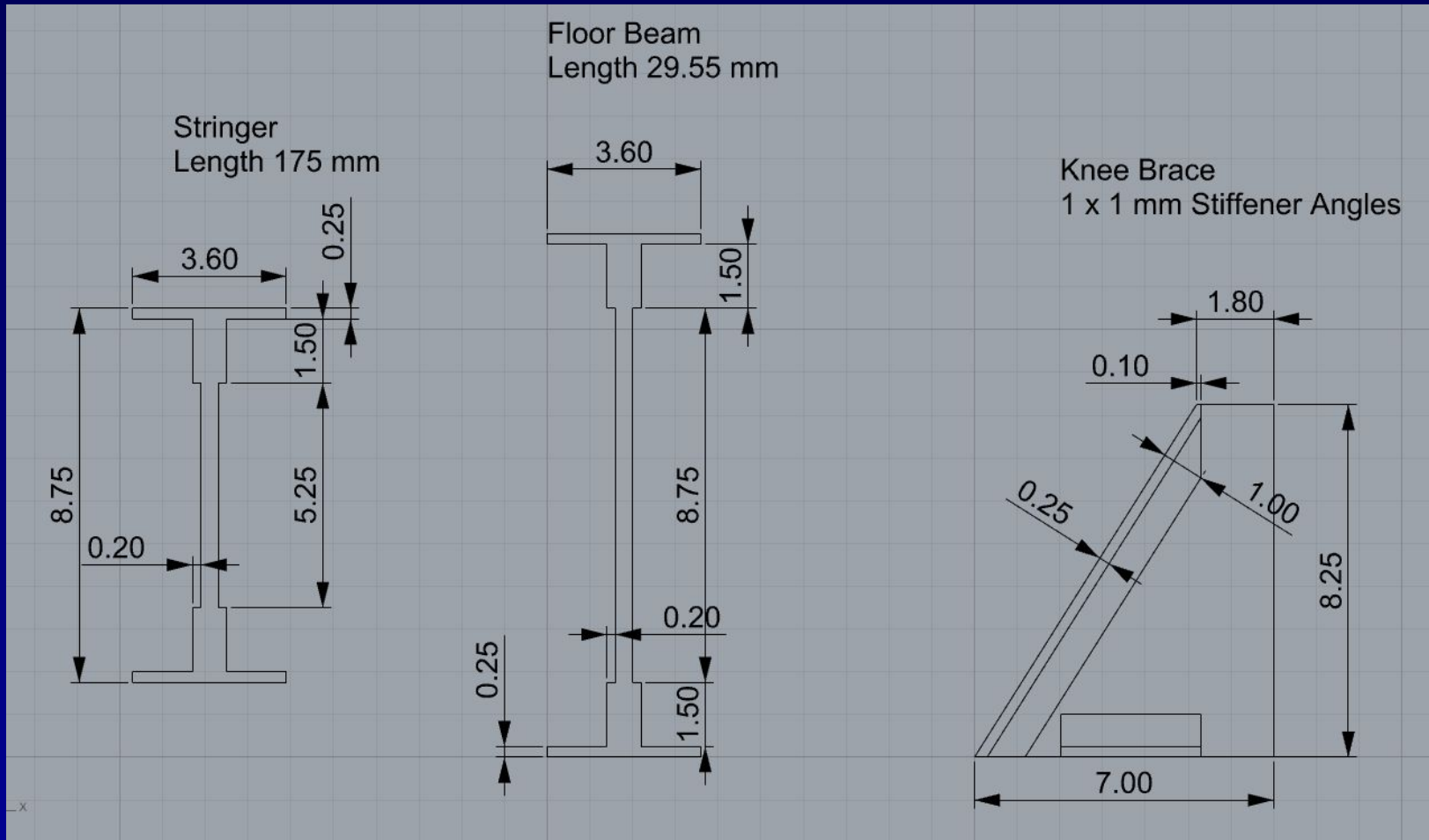
For the duration of this series I have established an email address where you can write for help:

[ntbridge924@gmail.com](mailto:ntbridge924@gmail.com)

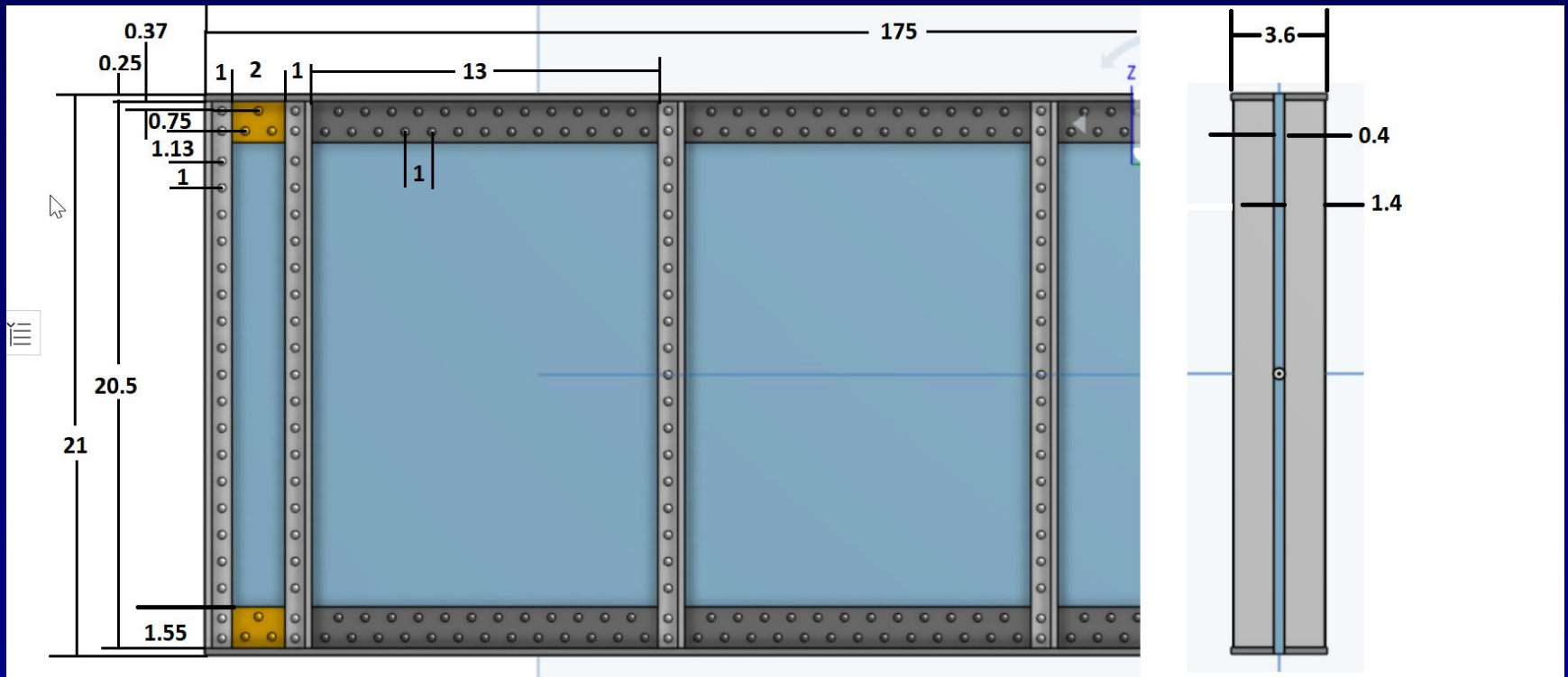
For instructional purposes, OnShape is an excellent vehicle. Your work is on a public server and the history keeps track of everything you do so I (hopefully) can track down where you erred.

**Remember: Save your work under a unique name so I can find it!**

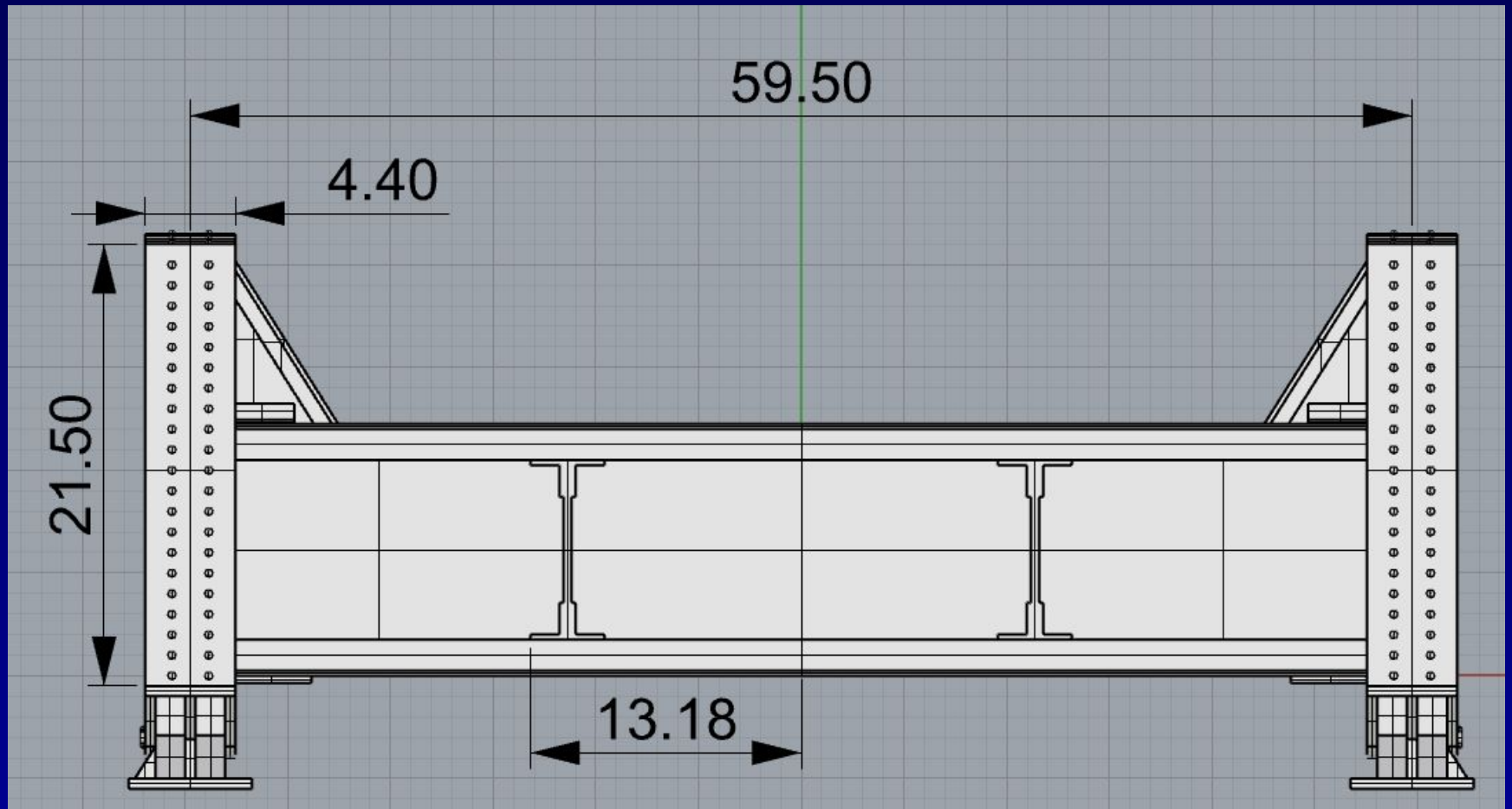
# Knee Brace, Beams, and Stringers



# Girder Dimensions



# End Dimensions



# Pedestal

